



**RC462305**  
**Vario refrigerator 400 series**  
**With fresh cooling 0 °C**  
**fully integrated**  
**Niche width 61 cm, Niche height 213.4 cm**



Stainless steel interior with solid anthracite aluminium elements  
 Warm white and glare-free LED light spots  
 Opening assist for door with two options:  
 1. Push-to-open function for integration into handleless furniture front  
 2. Pull-to-open function to facilitate opening the door using a handle  
 The drawers in the fridge and freezer models are positioned at the same height.  
 With side-by-side installation, the glass shelves and door racks can be aligned on the same level  
 Flat stainless steel inner door, full-length  
 Smooth design rail system providing flexible positioning for shelves and door racks  
 Solid anthracite aluminium door racks  
 1 fresh cooling drawer 0 °C with temperature control from -1 °C to +3 °C and one fresh cooling drawer with manually adjustable humidity  
 TFT touch display  
 Total volume 357 litres

**Handling**  
 TFT touch display operation.  
 Clear text display.

**Features**  
 Dynamic cold air distribution.  
 Cushioned door closing system.  
 Automatic defrosting with defrost water evaporation.  
 Activated charcoal air filter.  
 Rest mode certified by Star-K.  
 When rest mode is active, the appliance can only be opened using a handle.  
 Open-door and malfunction alarm.  
 Integrated WiFi module for digital services (Home Connect).  
 The availability of the Home Connect functionality depends on the availability of the Home Connect Services in your country. Home Connect Services are not available in every country – for further information please check: [www.home-connect.com](http://www.home-connect.com)

**Cooling**  
 Fast cooling.  
 Temperature adjustable from +2 °C to +8 °C.  
 3 safety glass shelves, white glass, individually adjustable in height.  
 1 shallow, fully extendable drawer with transparent front.  
 1 integrated shelf with satin-finished glass.  
 Cushioned closing system.  
 4 brilliant LED light spots with warm white, glare-free light (3500 K) within cooling area and drawers.  
 Smooth design door rail system with fully flexible positioning of door racks.  
 4 height-adjustable door racks, 1 of which is extra deep.  
 Volume 305 litres.

**Fresh cooling 0 °C**  
 1 large, fully extendable fresh cooling 0 °C drawer with transparent front, illuminated.  
 Cushioned closing system.

**Characteristics**  
**Energy Efficiency Class**  
 E  
**Average annual energy consumption in kilowatt hour per year (kWh/a)**  
 150  
**Sum of volume of frozen compartments**  
 0  
**Sum of volume of chill compartments**  
 357  
**Airborne acoustical noise emissions**  
 40  
**Airborne acoustical noise emission class**  
 C  
**Construction type**  
 Built-in  
**Door panel options**  
 Not possible  
**Height**  
 2125  
**Width of the product**  
 603  
**Depth of the product**  
 608  
**Required niche size for installation (HxWxD)**  
 2134.0 x 610 x 610  
**Net weight**  
 146.2  
**Connection rating**  
 300  
**Fuse protection**  
 10  
**Door hinge**  
 Right reversible  
**Voltage**  
 220-240  
**Frequency**  
 50-60  
**Approval certificates**  
 CE, VDE  
**Length of electrical supply cord**  
 300  
**Storage Period in Event of Power Failure (h)**  
 1  
**Number of compressors**  
 1  
**Number of independent cooling systems**  
 1  
**Interior ventilator**  
 Yes  
**Reversible Door Hinge**  
 Yes  
**Number of Adjustable Shelves in fridge compartment (Stck)**  
 3  
**Shelves for Bottles**  
 No  
**Capacity of Water Tank**  
**EAN code**  
 4242006290856  
**Brand**  
 Gaggenau  
**Product name / Commercial code**  
 RC462305  
**Frost free system**  
**Installation type**  
 N/A

**Consumption and connection features**

created on 2022-03-10  
 Page 1

Temperature control via central TFT display, temperature can be adjusted from -1 °C to +3 °C.  
 Ideal for meat, fish and poultry.  
 Net volume 52 litres.

**Fresh cooling**  
 1 fully extendable fresh cooling drawer with transparent front, illuminated.  
 Cushioned closing system.  
 Humidity can be adjusted manually.  
 Ideal for fruit and vegetables.

**Product rating**  
 Energy efficiency class E at a range of energy efficiency classes from A to G.  
 Energy consumption 150 kWh/year.  
 Noise level 40 dB (A) re 1 pW.

**Planning notes**  
 Flat hinge.  
 Door hinge right, reversible.  
 Door opening angle of 115°, fixable at 90°.  
 Max. door panel weight 25 kg.

**Connection**  
 Total connected load 0.300 KW.  
 Connecting cable 3.0 m, pluggable.

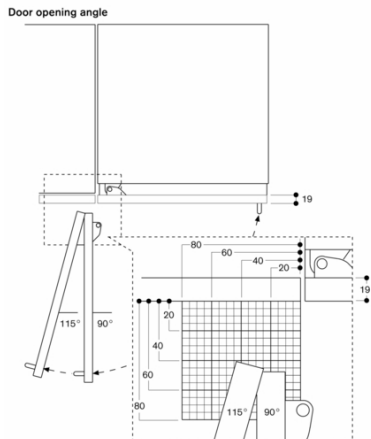
**Color Variants**  
**RC462305**  
**With fresh cooling 0 °C**  
**fully integrated**

**Included accessories**  
 1 x egg box with lid.

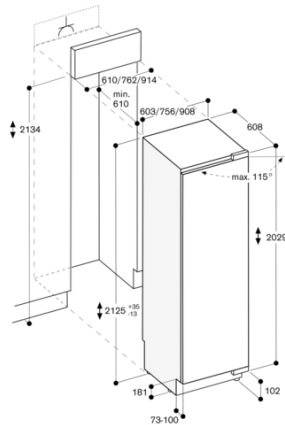
**Optional accessories**  
**RA430100**

**Installation Accessories**  
**RA421610**  
**RA423140**  
**RA425110**  
**Handle bar, stainless steel, long**  
**RA428610**  
**RA460000**  
**Accessory for side-by-side installation**  
**RA460013**  
**RA460020**  
**Connecting element for vertically split appliance fronts (for a flush front)**  
**RA464611**  
**Ventilation grille stainless steel**

RC462305  
 Vario refrigerator 400 series  
 With fresh cooling 0 °C  
 fully integrated  
 Niche width 61 cm, Niche height 213.4 cm  
 cm  
 created on 2022-03-10  
 Page 2

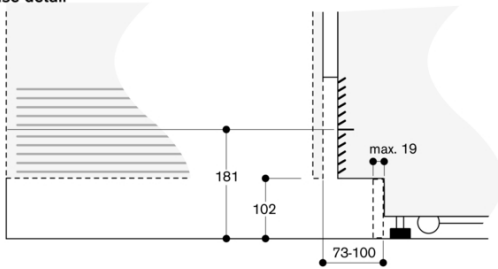


The hinge travel and resulting clearances from adjacent furniture units and handles can be found from the drawing while allowing for the thickness of the front panel. In the drawing, a furniture unit front panel thickness of 19 mm was assumed.

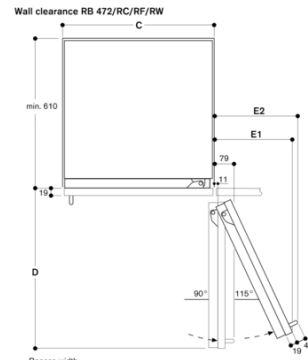


The maximum door panel dimensions are based on a clearance of 3 mm.

Base detail



Based on the standard appliance height, the height of the plinth is 102 mm. Maximum plinth thickness 19 mm.



Recess width				
C	D	E1	E2	
457 mm	525 mm	235 mm	265 mm	
610 mm	677 mm	299 mm	330 mm	
762 mm	830 mm	364 mm	395 mm	
914 mm	980 mm	428 mm	460 mm	

In the drawing, a unit front thickness of 19 mm and a Gaggenau unit handle of 49 mm were taken as a basis.

