



Color Variants

RF410304
fully integrated
Niche width 45.7 cm, Niche height 213.4 cm

Included accessories

1 x connection set.

Installation Accessories

RA421110
RA423140
RA425110
Handle bar, stainless steel, long
RA428110
RA460013
RA460020
Connecting element for vertically split appliance fronts (for a flush front)
RA464111
Ventilation grille stainless steel

RF410304
Vario freezer 400 series
fully integrated
Niche width 45.7 cm, Niche height 213.4 cm



Stainless steel interior with solid anthracite aluminium elements
 Warm white and glare-free LED light spots

Opening assist for door with two options:

1. Push-to-open function for integration into handleless furniture front
 2. Pull-to-open function to facilitate opening the door using a handle
- The drawers in the fridge and freezer models are positioned at the same height.

With side-by-side installation, the glass shelves and door racks can be aligned on the same level

Material and aesthetics of interior as for RC model

- Glass shelves

- Solid anthracite aluminium door racks
 Flat stainless steel inner door, full-length

Smooth design rail system providing flexible positioning for shelves and door racks

TFT touch display

Total volume 240 litres

Handling

TFT touch display operation.

Clear text display.

Features

Dynamic cold air distribution.

Automatic defrosting with defrost water evaporation.

Cushioned door closing system.

Rest mode certified by Star-K.

When rest mode is active, the appliance can only be opened using a handle.

Open-door and malfunction alarm.

Integrated WiFi module for digital services

(Home Connect).

The availability of the Home Connect functionality depends on the availability of the Home Connect Services in your country.

Home Connect Services are not available in every country – for further information please check:

www.home-connect.com

for further information please check:

www.home-connect.com

for further information please check:

www.home-connect.com

for further information please check:

www.home-connect.com

for further information please check:

www.home-connect.com

for further information please check:

www.home-connect.com

for further information please check:

www.home-connect.com

for further information please check:

www.home-connect.com

for further information please check:

www.home-connect.com

for further information please check:

www.home-connect.com

for further information please check:

www.home-connect.com

for further information please check:

www.home-connect.com

for further information please check:

www.home-connect.com

for further information please check:

www.home-connect.com

for further information please check:

www.home-connect.com

for further information please check:

www.home-connect.com

for further information please check:

www.home-connect.com

for further information please check:

www.home-connect.com

for further information please check:

www.home-connect.com

for further information please check:

www.home-connect.com

for further information please check:

www.home-connect.com

Characteristics

Energy Efficiency Class

E

Average annual energy consumption in kilowatt hour per year (kWh/a)

246

Sum of volume of frozen compartments

240

Airborne acoustical noise emissions

42

Airborne acoustical noise emission class

D

Thermometer freeze section

Digital

Light

Yes

Product category

Upright freezer

Construction type

Built-in

Door panel options

Not possible

Frost free system

Fridge and freezer

Height of the product

2125

Width of the appliance

451

Depth of the product

608

Required niche size for installation (HxWxD)

2134.0 x 457.0 x 610

Dimensions of the packed product (HxWxD)

2260 x 750 x 550

Net weight

126.6

Gross weight

140.4

Connection rating

300

Fuse protection

10

Frequency

50-60

Approval certificates

CE, VDE

Length of electrical supply cord

300

Door hinge

Left reversible

Storage Period in Event of Power Failure (h)

6

Color / Material body

Defrost process

Warning signal / malfunction

No signal

Lockable door

No

Number of drawers/baskets (Stck)

2

Number of freezing flaps (Stck)

0

EAN code

4242006287320

Brand

Gaggenau

Product name / Commercial code

RF410304

Product category

Upright freezer

Consumption and connection features

created on 2022-03-11

Page 1

For an installation with a door opening angle of 90°, the drawers have a restricted access.

Max. door panel weight 59 kg.

Connection

Total connected load 0.300 KW.

Connecting cable 3.0 m, pluggable.

RF410304

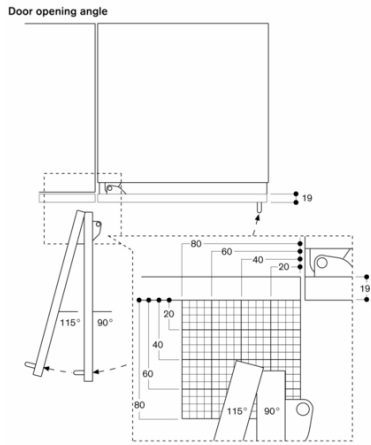
Vario freezer 400 series

fully integrated

Niche width 45.7 cm, Niche height 213.4 cm

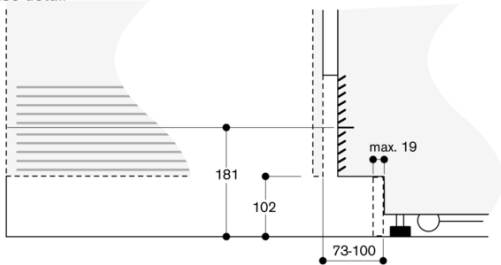
created on 2022-03-11

Page 2



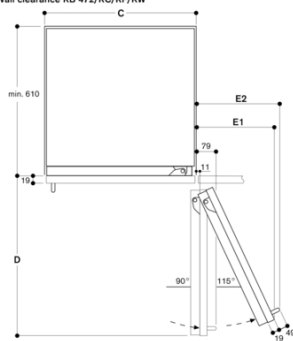
The hinge travel and resulting clearances from adjacent furniture units and handles can be found from the drawing while allowing for the thickness of the front panel. In the drawing, a furniture unit front panel thickness of 19 mm was assumed.

Base detail



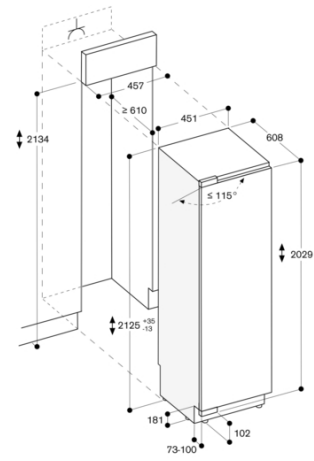
Based on the standard appliance height, the height of the plinth is 102 mm. Maximum plinth thickness 19 mm.

Wall clearance RB 472/RC/RF/RW



Recess width C	D	E1	E2
457 mm	525 mm	235 mm	265 mm
610 mm	677 mm	299 mm	330 mm
762 mm	830 mm	364 mm	395 mm
914 mm	980 mm	428 mm	460 mm

In the drawing, a unit front thickness of 19 mm and a Gaggenau unit handle of 49 mm were taken as a basis.



The maximum door panel dimensions are based on a clearance of 3 mm. measurements in mm

